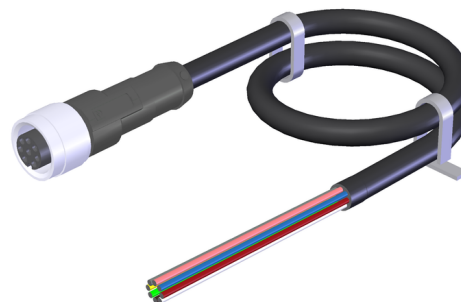


C-M12F08-08X025PV10,0-MA-100178 (Order no. 100178)

Connecting cable with plug connector M12, 8-pin, 10 m

- ▶ M12 female plug, 8-pin
- ▶ Straight plug connector
- ▶ PVC cable
- ▶ Cable length 10 m
- ▶ With flying lead

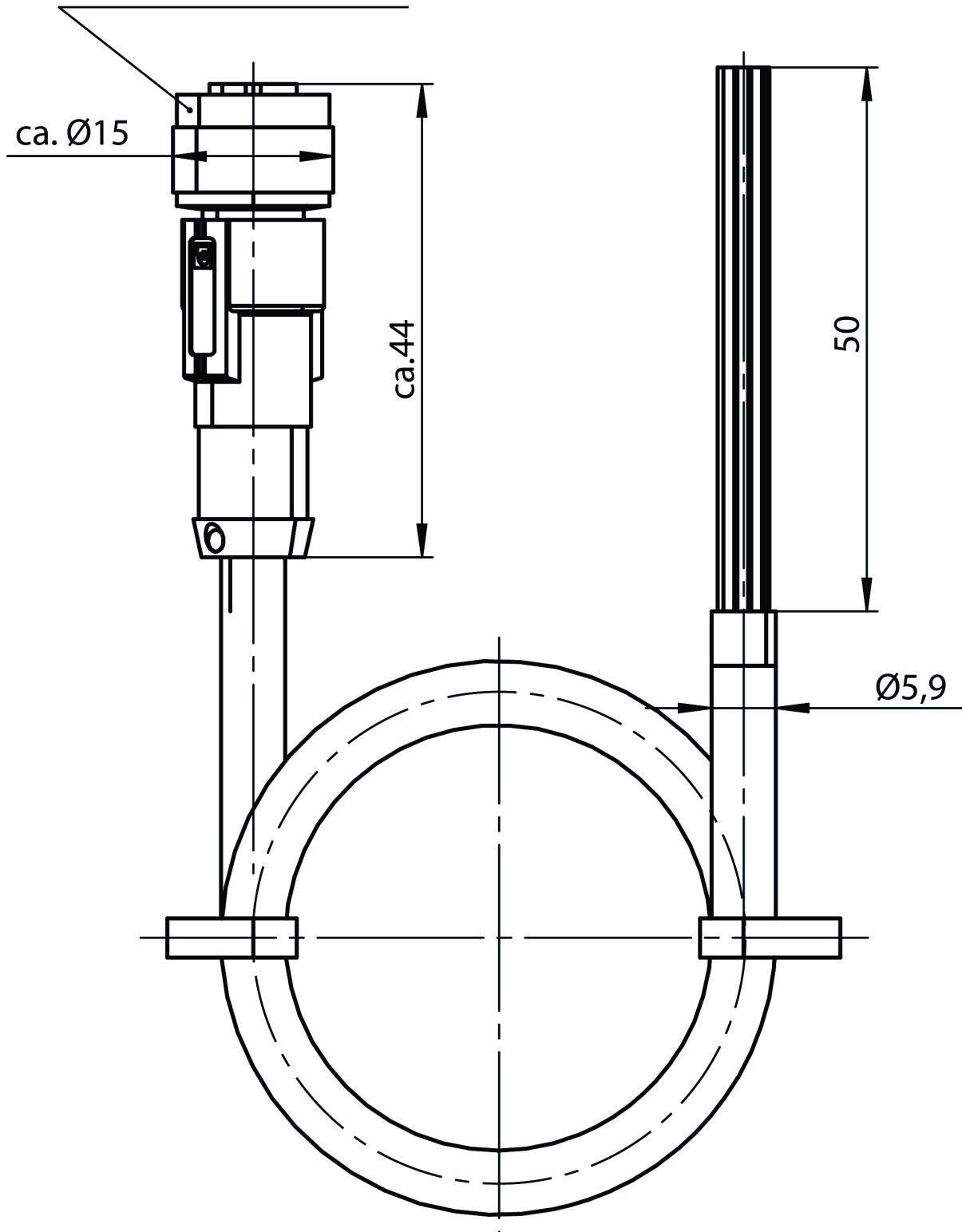


Terminal assignment

View of connection side	Pin	Conductor coloring
	1	WH
	2	BN
	3	GN
	4	YE
	5	GY
	6	PK
	7	BU
	8	RD

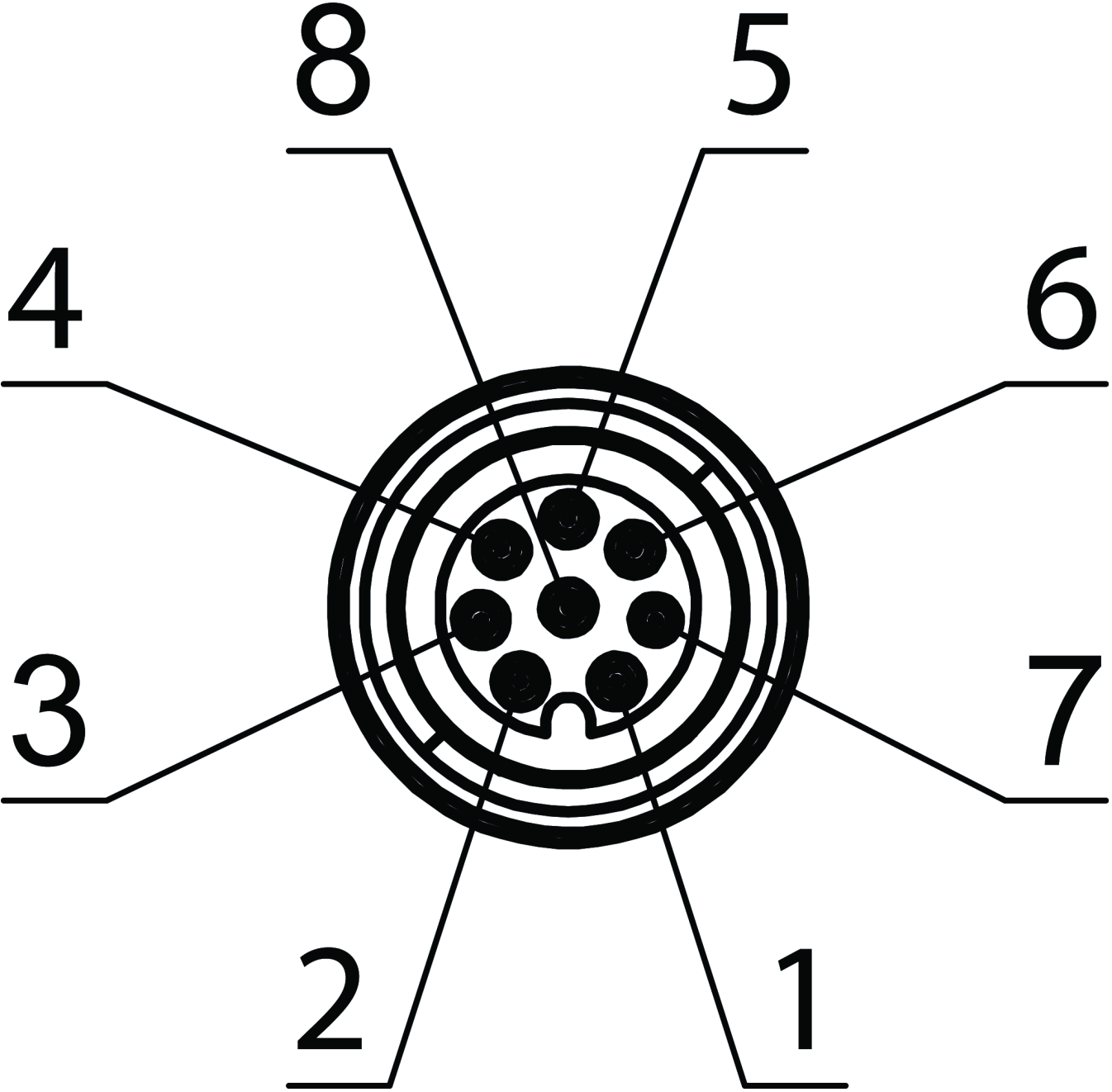
Dimensional drawings

M12x1 / 8-polig / pin



1 Cable socket M12x1 / 8-pin

Connection examples



Technical data

Approvals



Electrical connection values

Rated voltage	30 V
Rated surge voltage according to IEC 60664-1	800 V
Nominal current	
at 25 °C	2 A
specific inductance	0.51 mH/km
specific capacitance	107 nF/km
specific conductor resistance	78 Ω/km
Overvoltage category according to IEC EN 60664-1	III

Connection 1

Degree of contamination according to EN 60664-1	3
---	---

Mechanical values and environment

Conductor identification	Color code
Conductor cross-section	0.25 mm ²
Number of conductors	8
Dynamic bending radius	15 x cable diameter
Static bending radius	5 x cable diameter
Fire behavior	flame retardant according to UL-Style 2464
Cable type	straight
Cable diameter	
approx.	5.9 mm
Cable length	10 m
Sheath color	black

Drag chain suitability	no
Cable ambient temperature (dynamic)	-5 ... +80 °C
Cable ambient temperature (static)	-25 ... +80 °C
UV resistance	moderately UV resistant
Material	
Sheath	PVC
Conductor insulation	PVC
Conductor	Cu flexible wire bare
Connection 2	
Conductor end	Sheath stripped
Connection type	flying lead
Connection 1	
Connection type	Plug connector M12x1
Connection type	Female plug
Tightening torque	0.5 Nm
Insulating material group	I
Cable outlet	straight
Number of pins	8
Degree of protection	IP67 (in the inserted state)
Plug lock	Screw connection
Insertion cycles	100
Material	
Plug housing	TPU
Plug lock	CuZn, nickel plated

Downloads

All documentation for this material can be found on our website:

<https://www.euchner.de/en-us/a/100178/?#downloads-tab>

Ordering data

Ordernumber	100178
Item designation	C-M12F08-08X025PV10,0-MA-100178
Gross weight	0,567kg
European Article Number (EAN)	4047048005501
Customs tariff number	85444290900
ECLASS	27-06-03-04 Appliance cord (data cable)